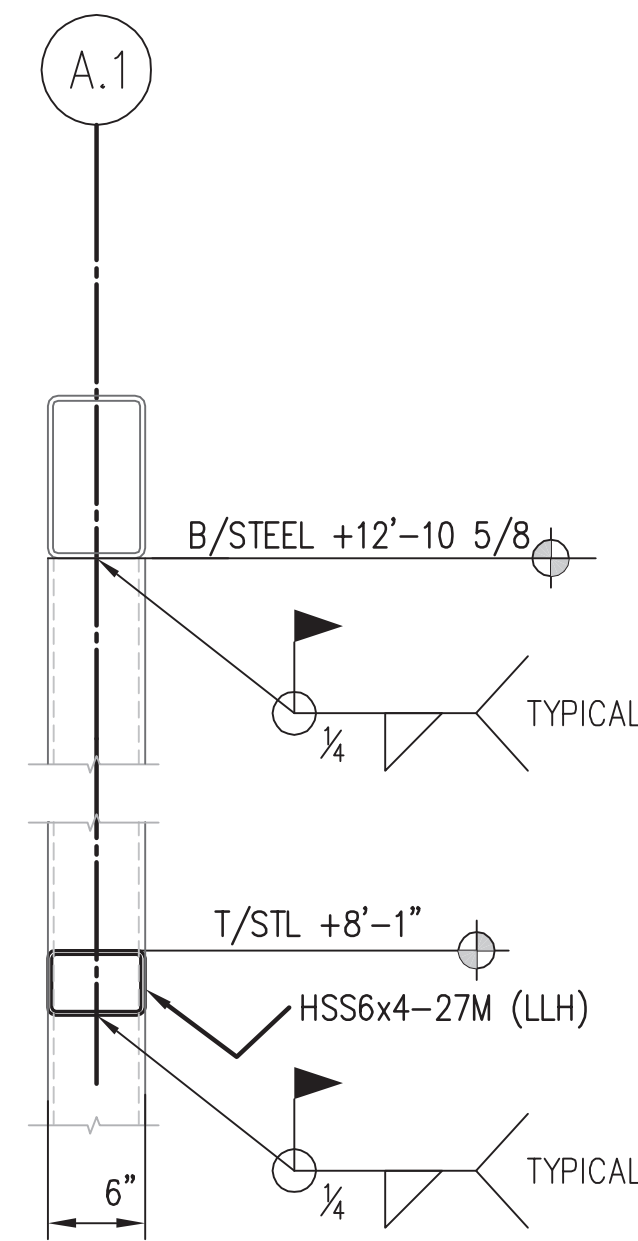
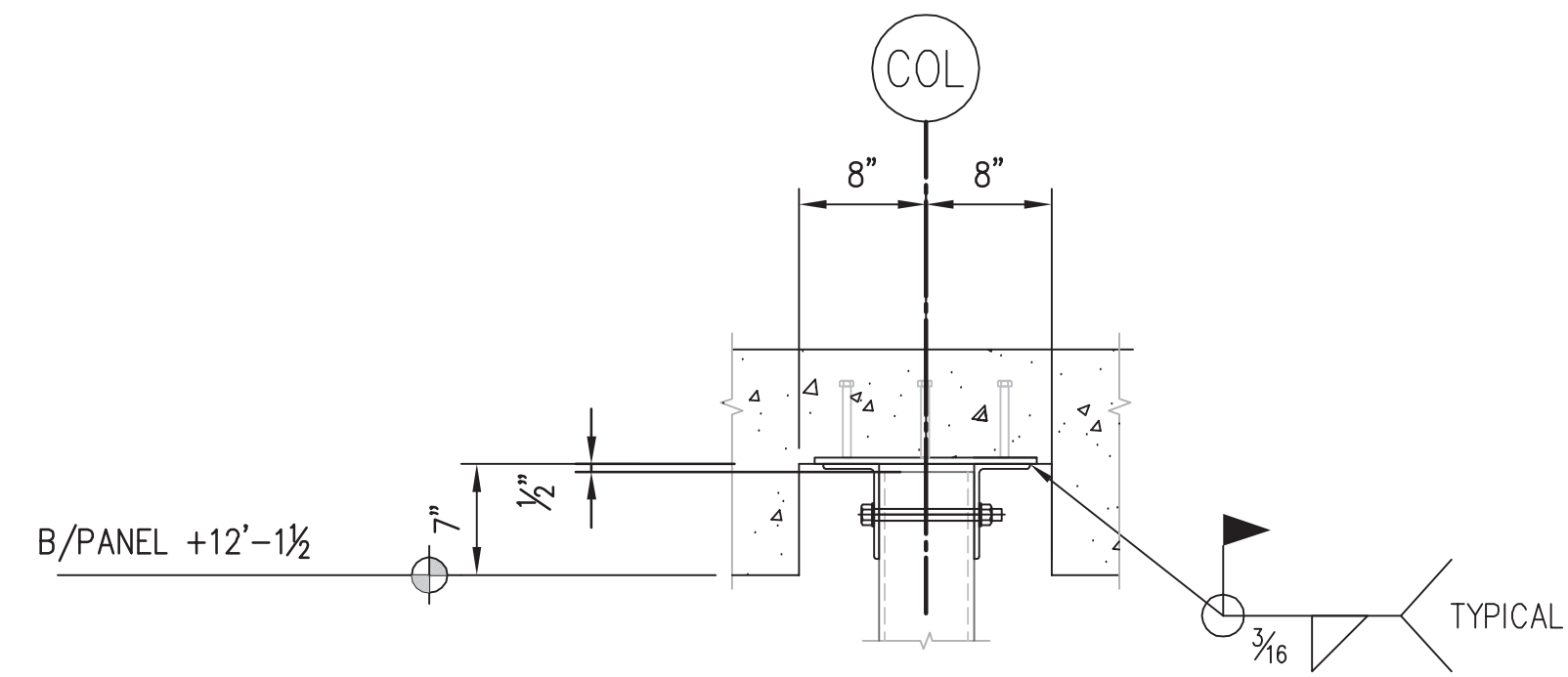


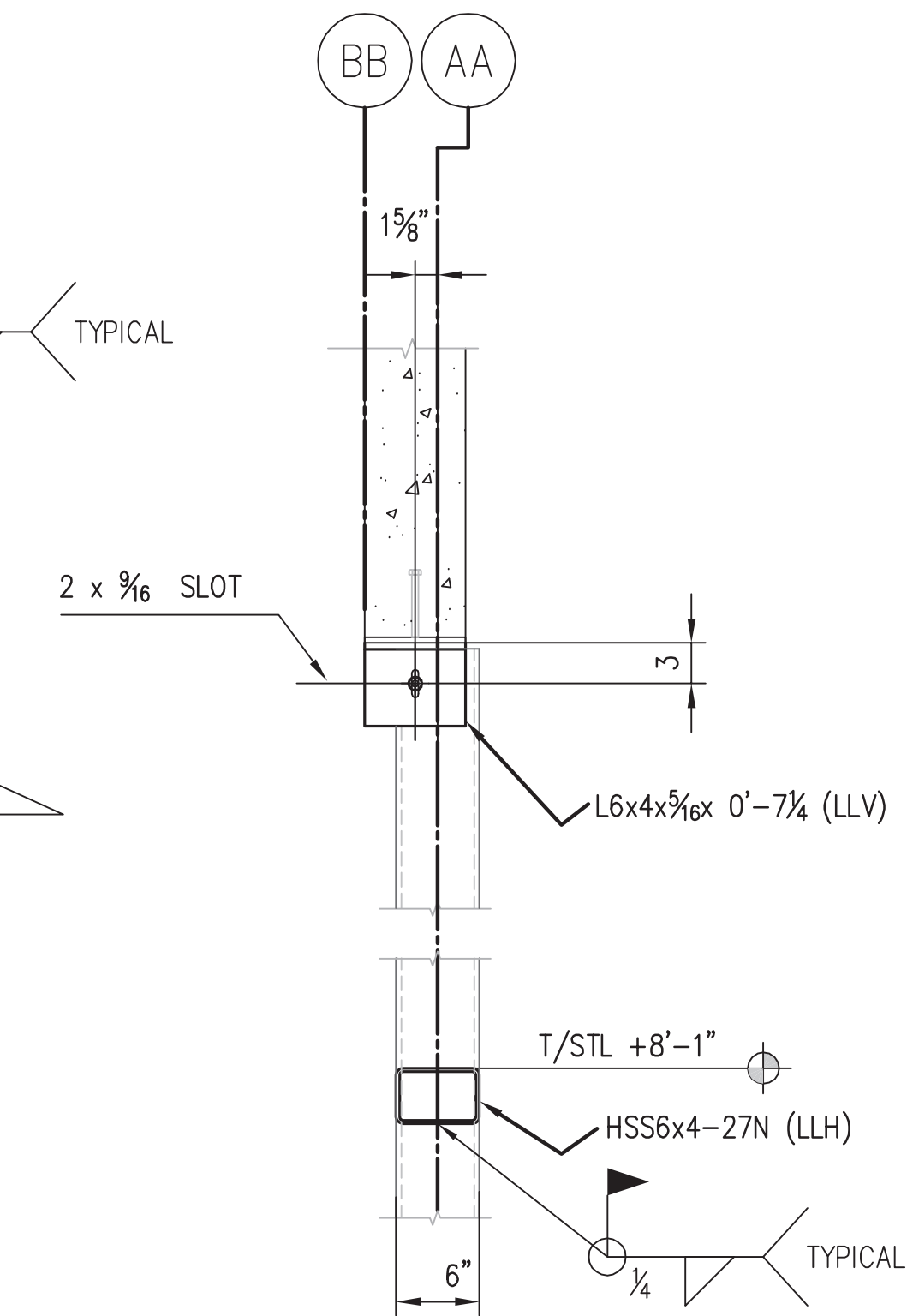
SECT. 5

5
S4.0



SECT. 7

7
S4.1



SECT. 6

6
S4.1

This document and the information contained in it are the confidential property of LYD-STEEL and may not be copied, duplicated, used in any manner, or transmitted to others without the written consent of LYD-STEEL.

Holes	13/16" ϕ	U.N.
Bolts	-	U.N.
Welds	-	U.N.
Paint	NONE	

LYD-STEEL
Steel Detailing / Checking

6400 FAIR VALLEY TRAIL, AUSTIN, TEXAS 78749
PHONE: (512) 484-3197 EMAIL: LYD-STEEL@ATT.NET

PRINT RECORD		
Date	NO.	For
-/-/-	-	-
-/-/-	-	-
-/-/-	-	-
-/-/-	-	-
-/-/-	-	-
-/-/-	-	-

Details of _____	Job No. _____	Sheet No. _____
Customer _____	Sample TB-1	
Project HOBBY LOBBY HEMISPHERES	Drawn LTS	Date 12/07/09
Location ALLEN, TEXAS	Checked _____	Date _____
Architect _____		