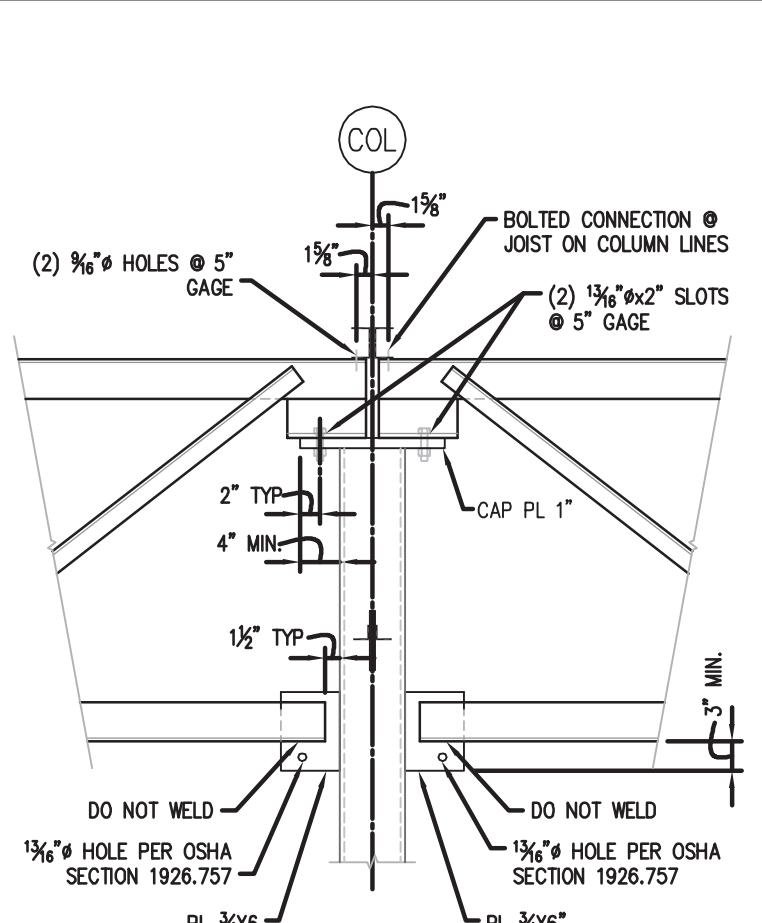


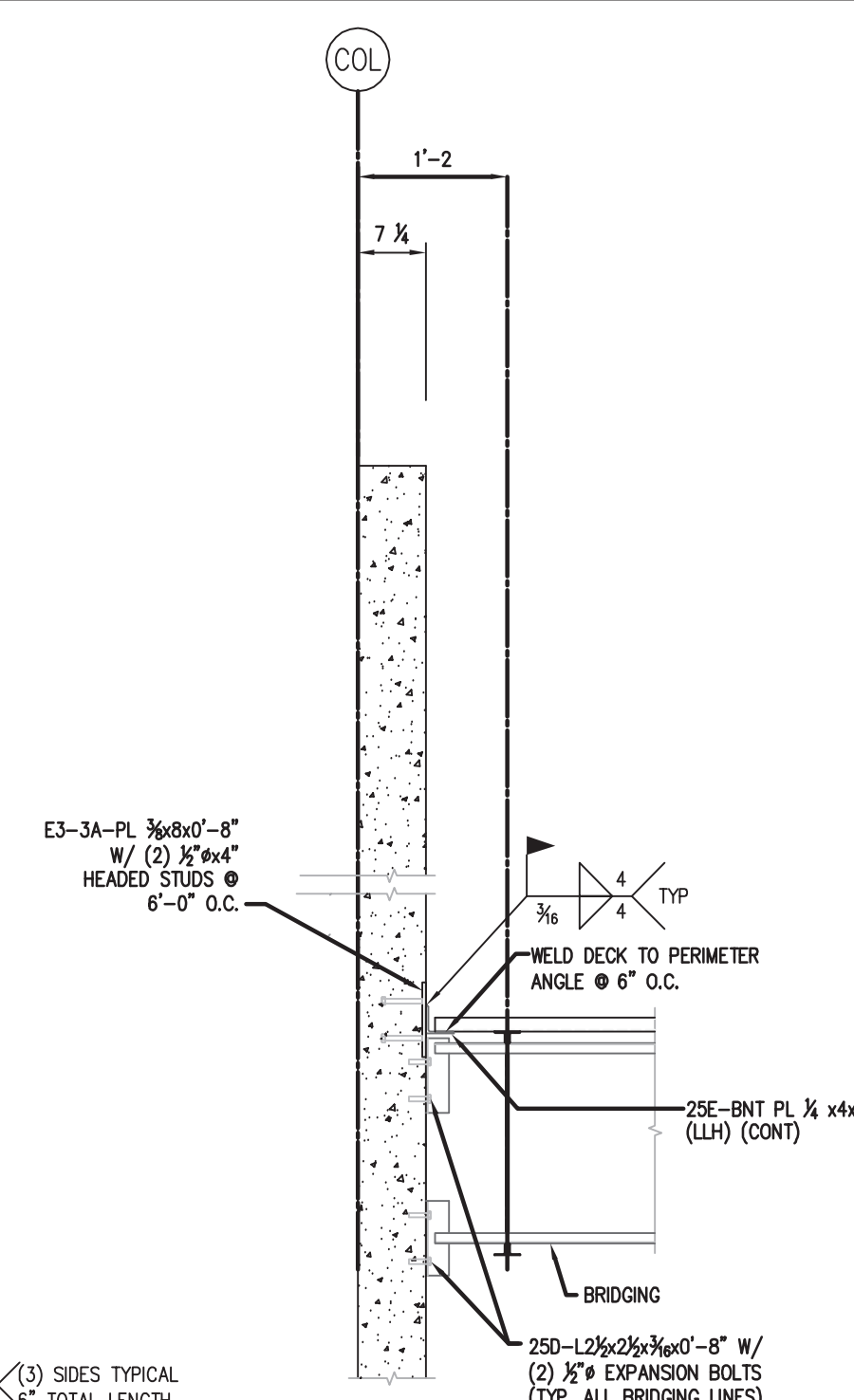
SECTION 1

1
S4.0



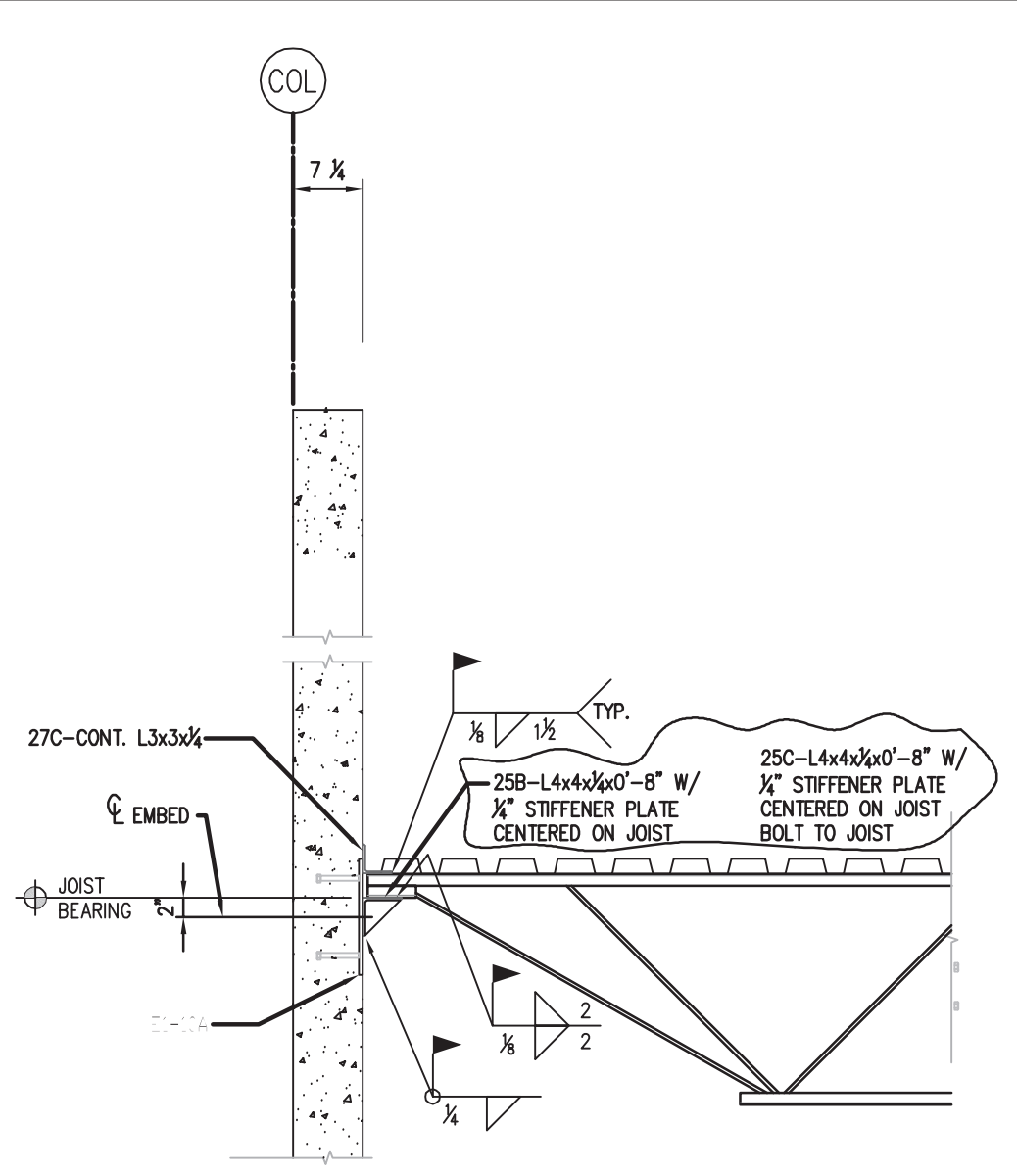
SECT. 4

4
S4.0



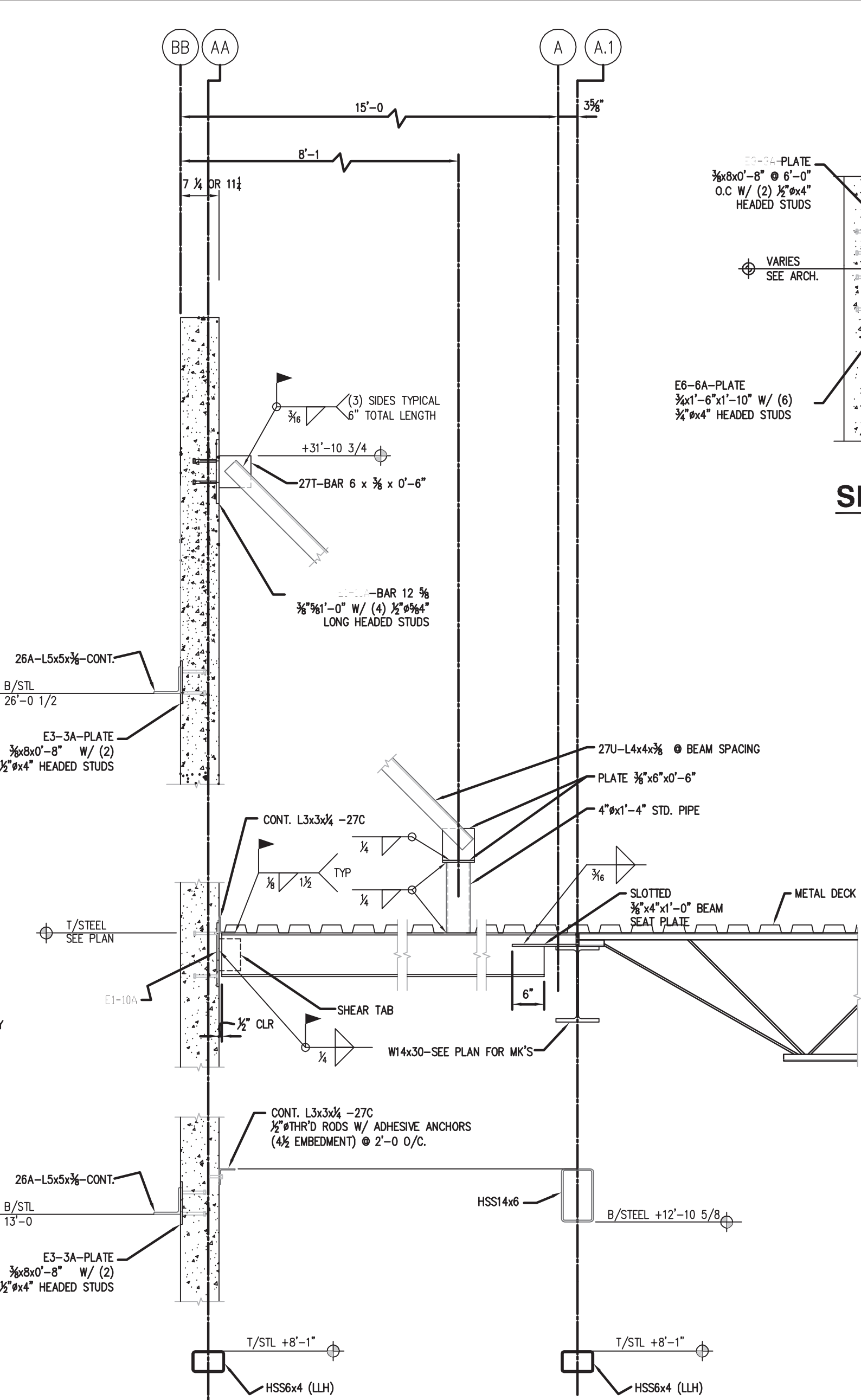
SECT. 5

5
S4.0



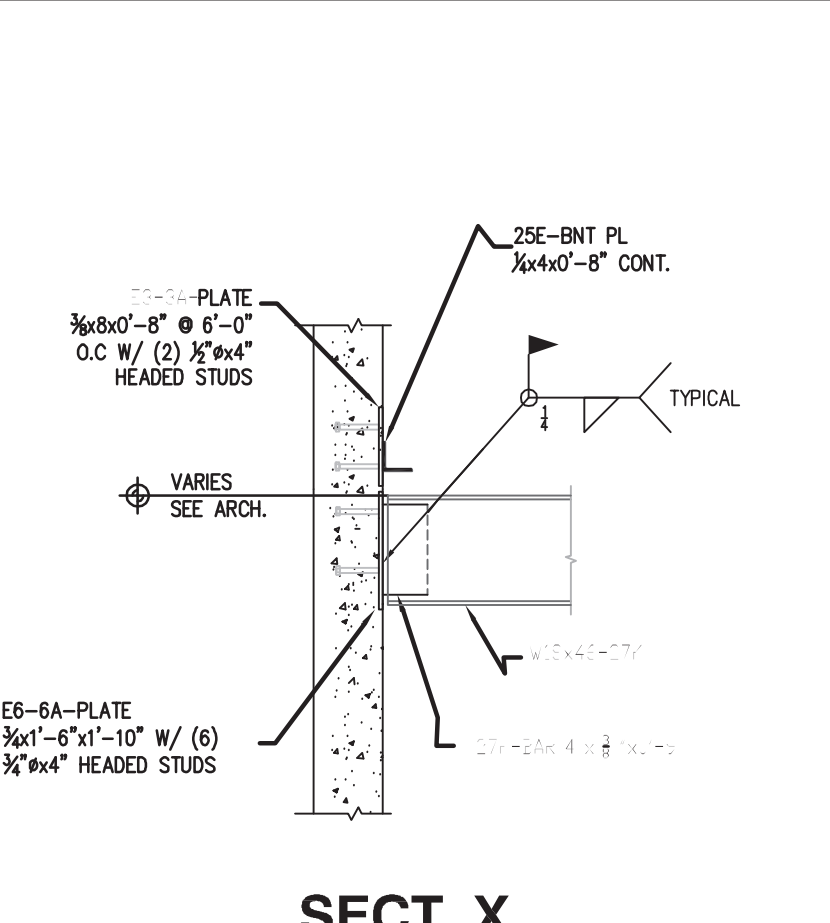
SECT. 2

2
S4.0

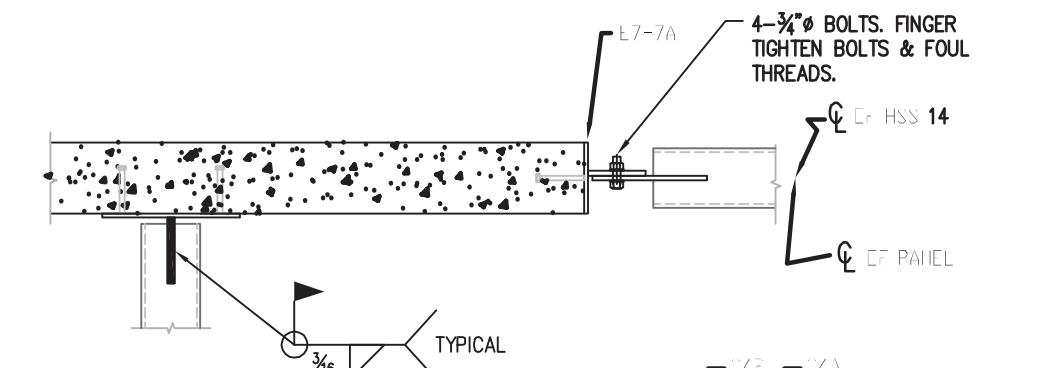


SECT. 2A

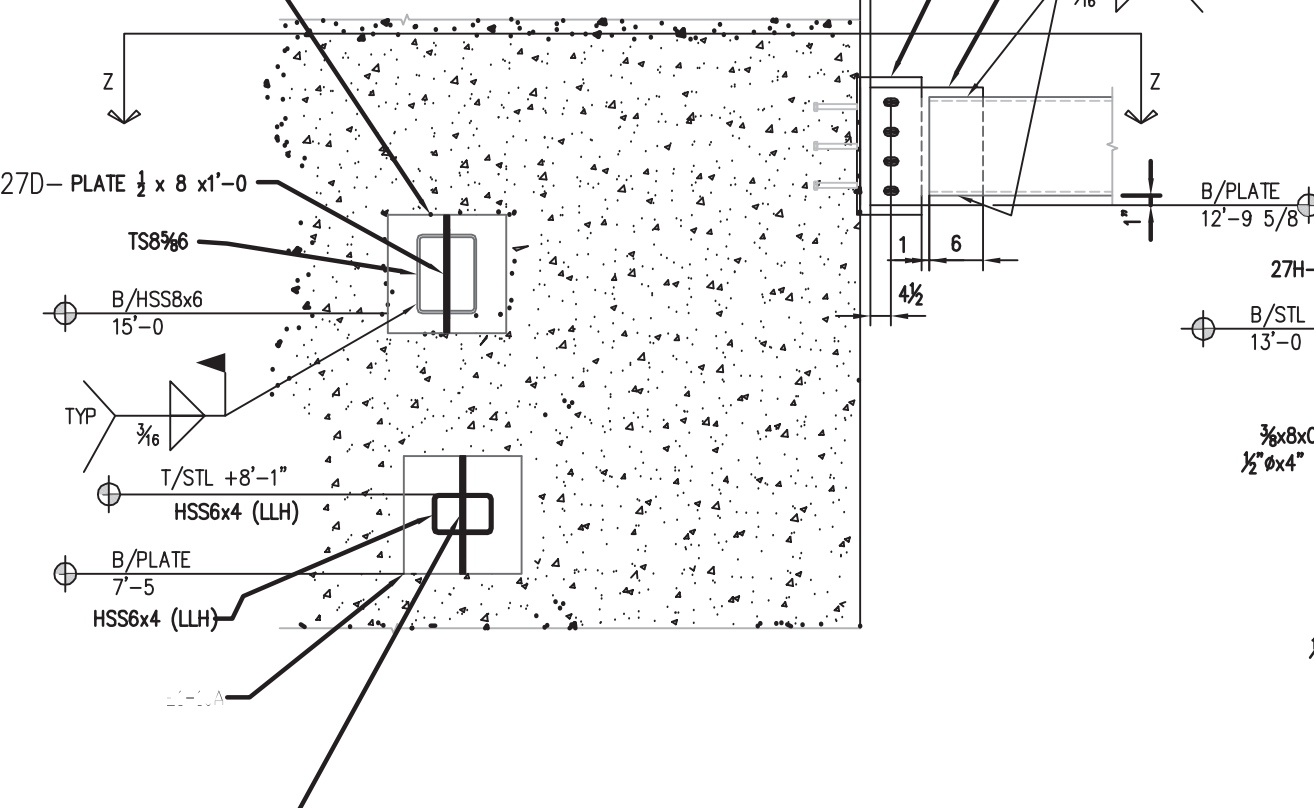
2
S4.1



SECT. X

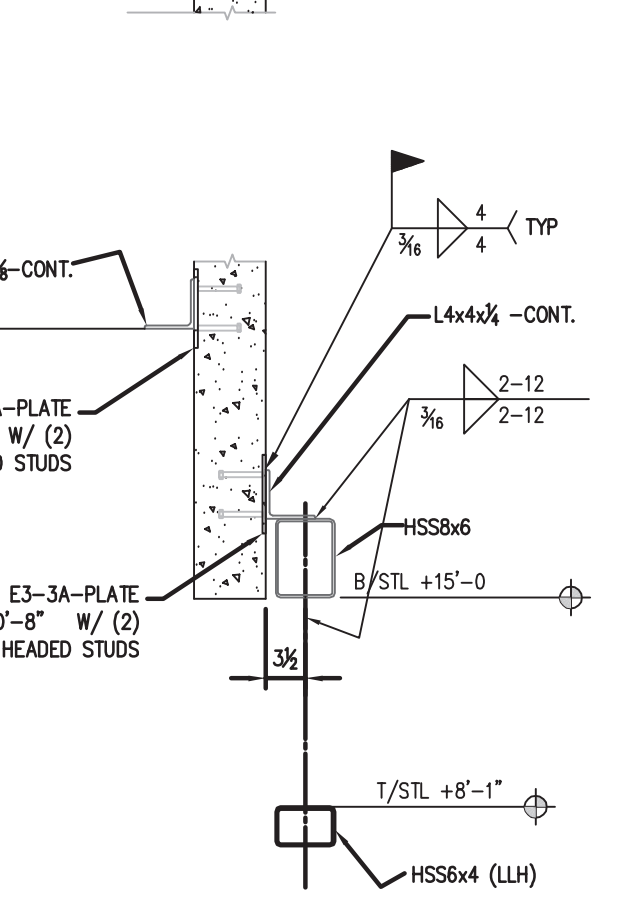


SECTION "Z-Z"



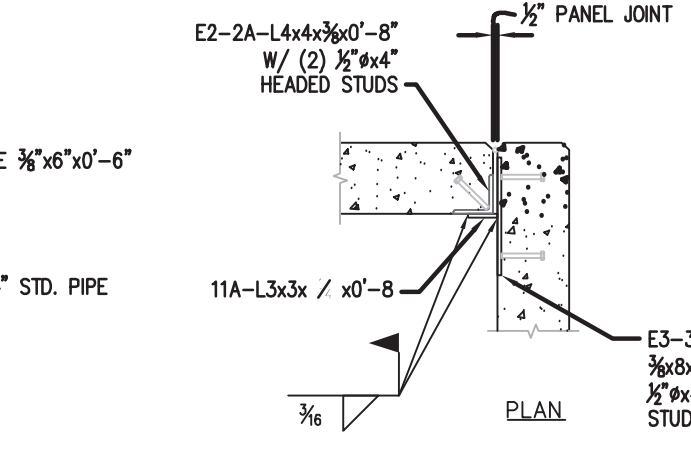
SECT. 7

7
S4.0



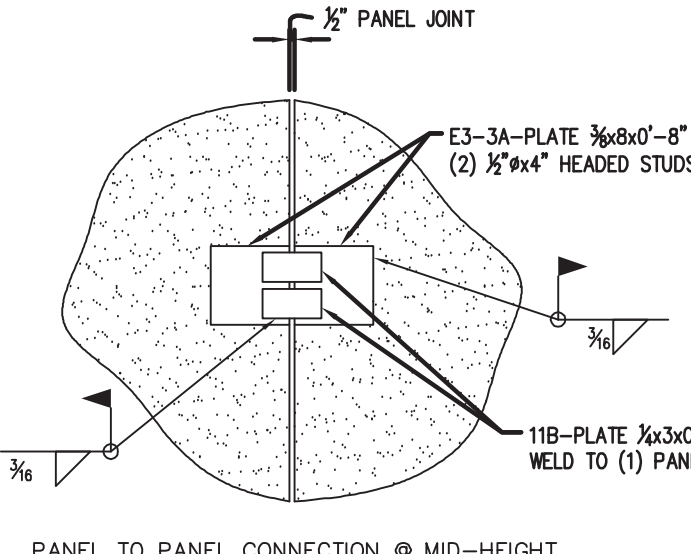
SECT. 1A

1
S4.1



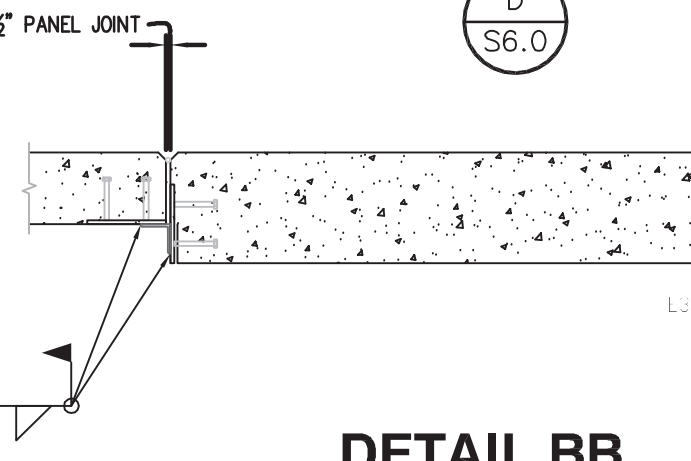
SECT. A

D
S6.0



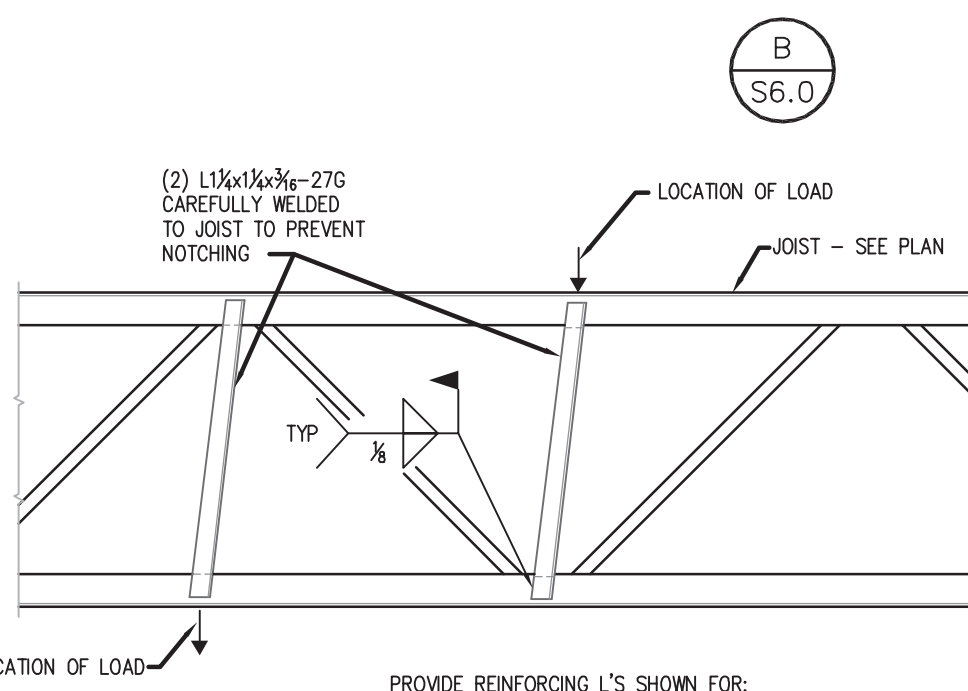
SECT. B

C
S6.0



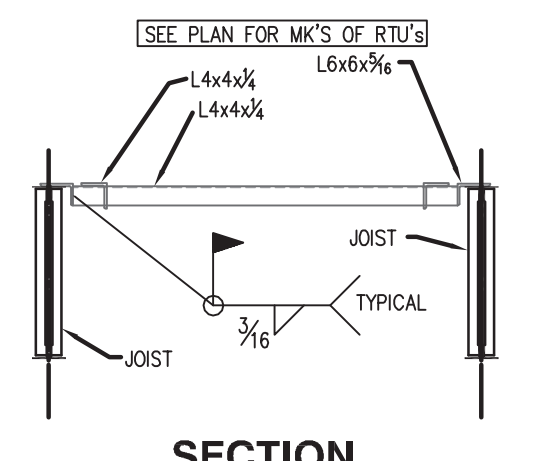
DETAIL BB

B
S6.0



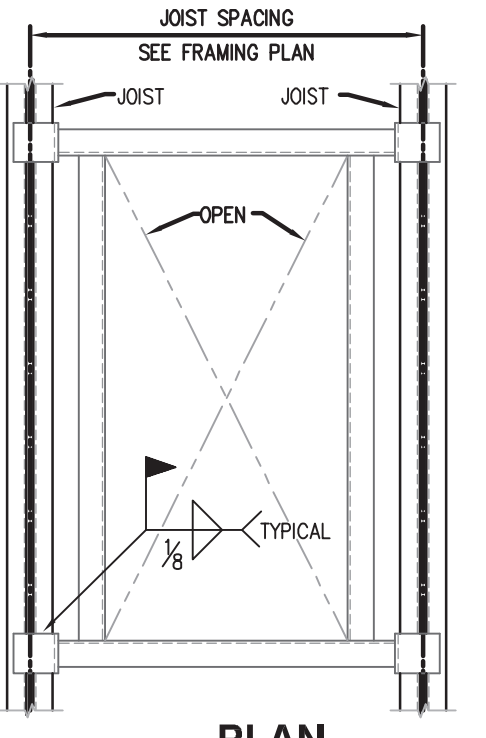
DETAIL "A"

A
S4.0



SECTION

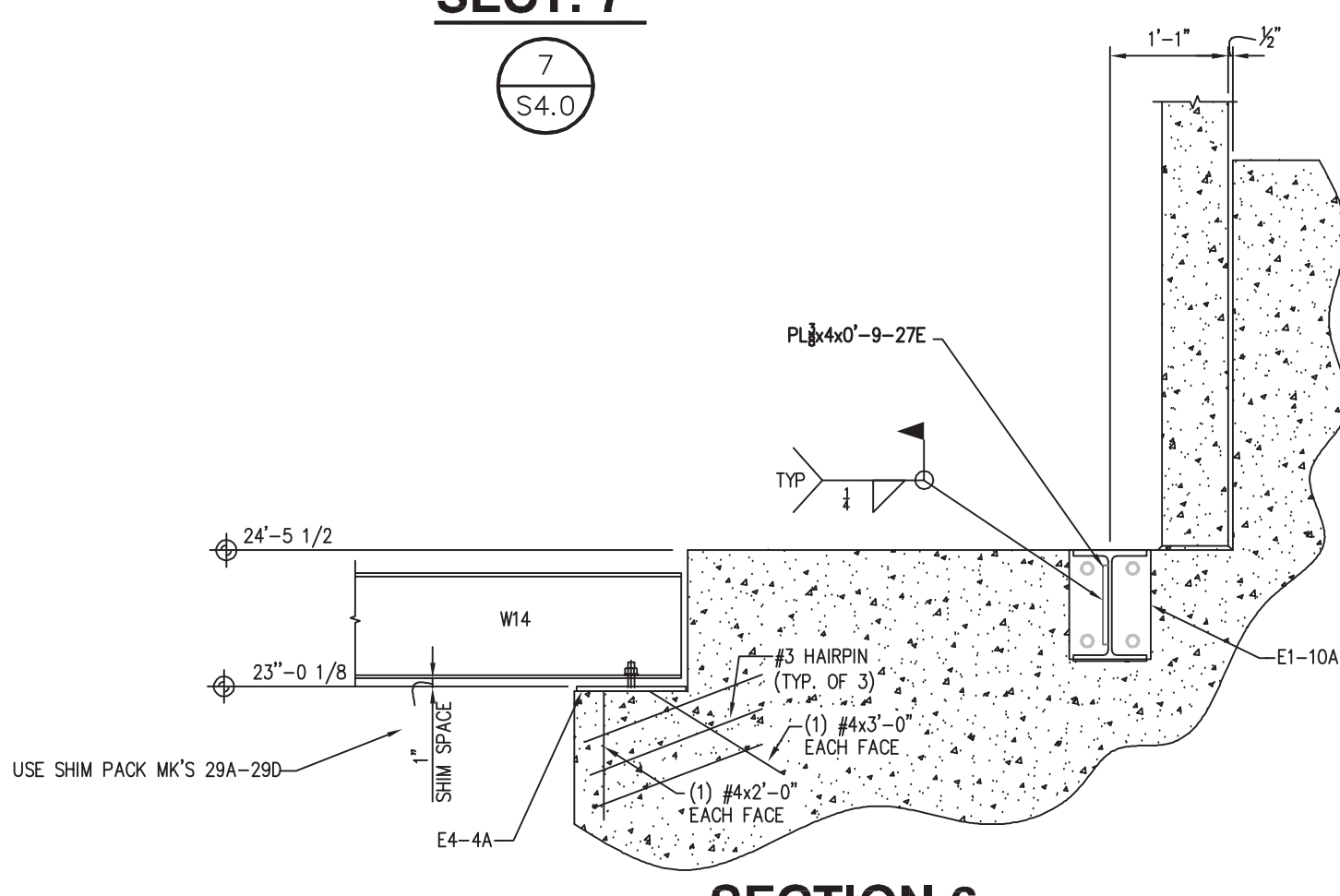
TYP. RTU SUPPORT & ROOF OPN'G FRAMING
NOTE: PROVIDE SUPPORT FRAMING FOR ROOF OPENINGS 12"x12" AND LARGER



PLAN

DETAIL B

B
S4.0



SECTION 6

6
S4.0

This document and the information contained in it are the confidential property of LYD-STEEL and may not be copied, duplicated, used in any manner, or transmitted to others without the written consent of LYD-STEEL.

Holes	13/16" Ø	U.N.
Bolts	-	U.N.
Welds	-	U.N.
Paint	-	

LYD-STEEL
Steel Detailing / Checking
6400 FAIR VALLEY TRAIL, AUSTIN, TEXAS 78749
PHONE: (512) 484-3197 EMAIL: LYD-STEEL@ATT.NET

PRINT RECORD		
Date	NO.	For
-/-/-	-	-
-/-/-	-	-
-/-/-	-	-
-/-/-	-	-
-/-/-	-	-

Details of _____	Customer _____	Job No. _____	Sheet No. _____
Project HOBBY LOBBY HEMISPHERES	Location ALLEN, TEXAS	Architect _____	
Drawn LTS	Date 12/07/09	Checked _____	Date _____
Sample		TB-1	