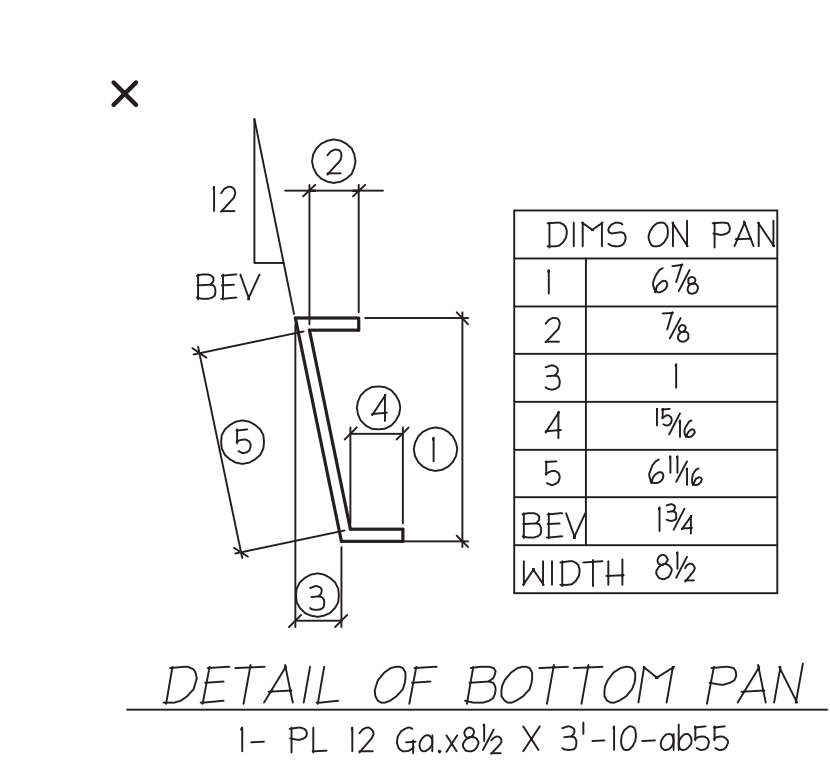
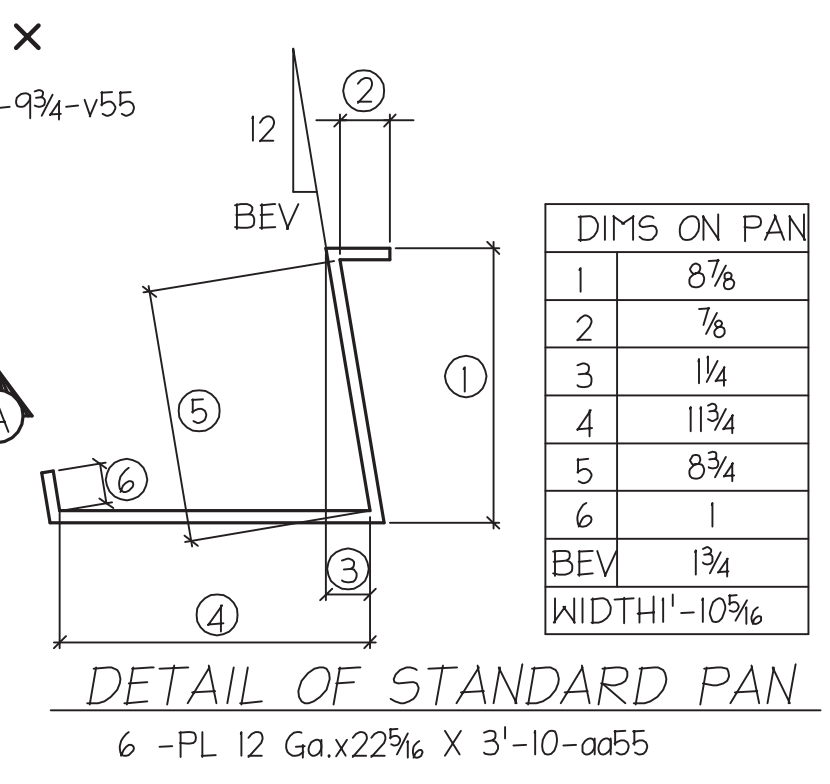
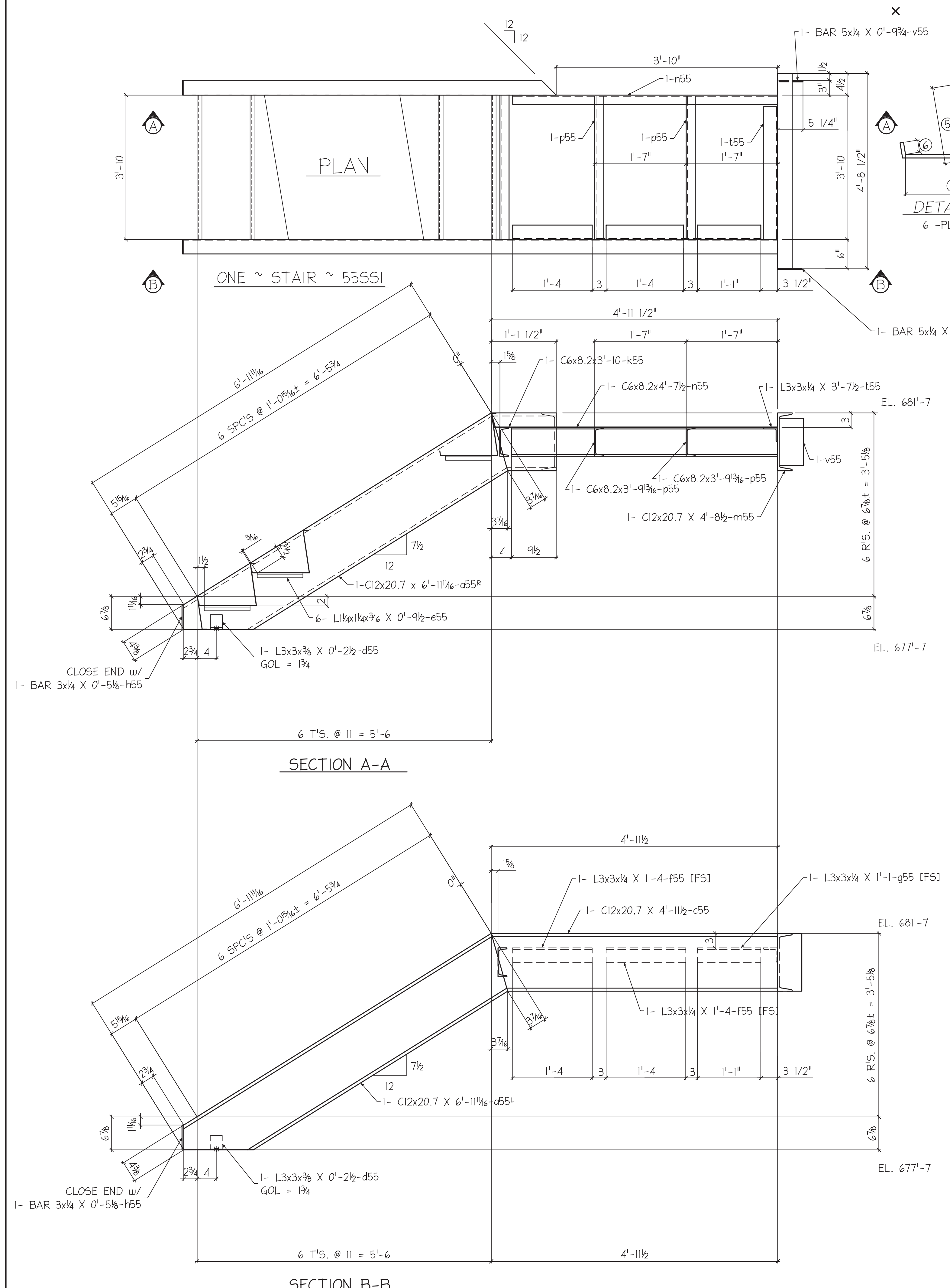
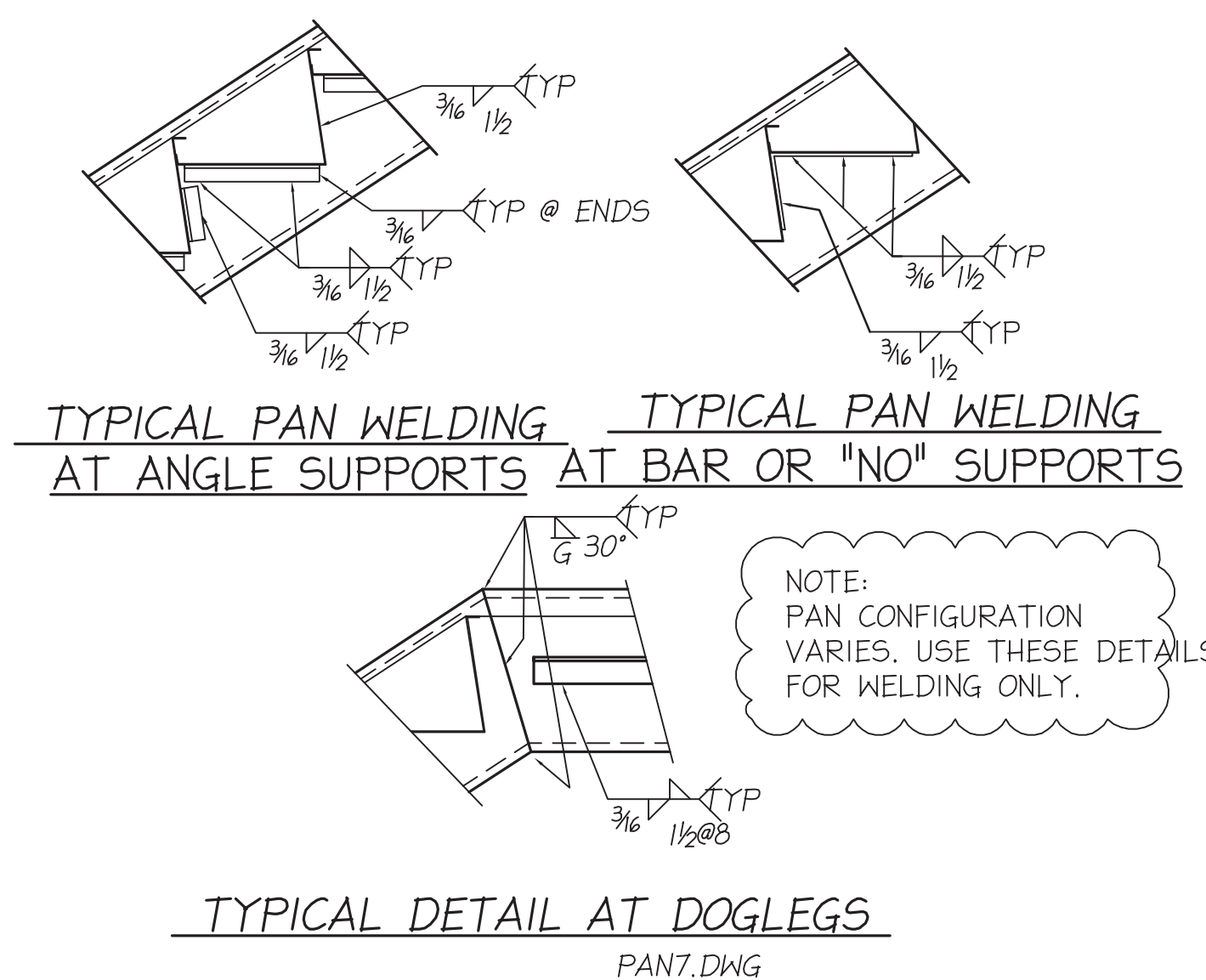
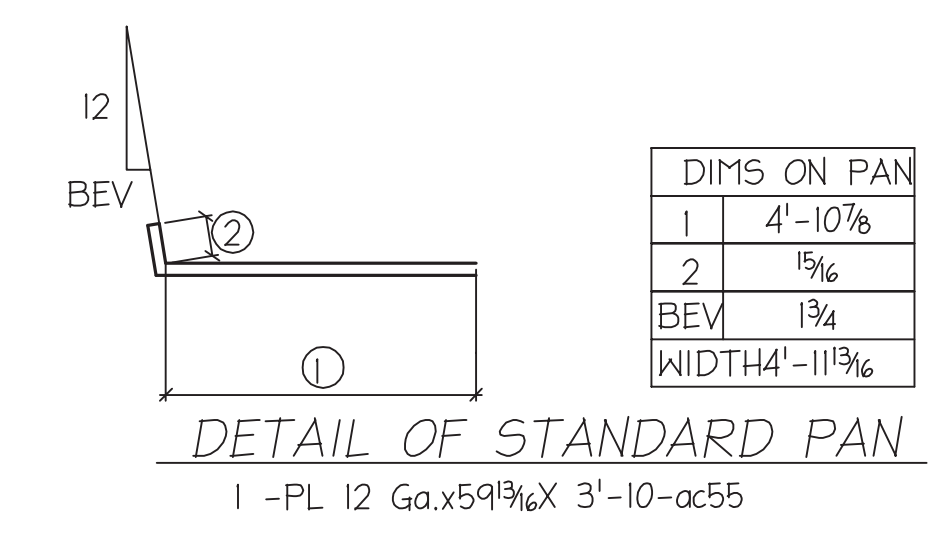


# Bill of Materials

Shipping Pck	Qty	Assembly Pck	Qty	Material Description	Length		Remarks	Weight
					FT	IN		
555SI	1			STAIR				
		a55	2	C12x20.7	6	11 1/4		
		b55	1	C12x20.7	1	1 1/2		
		c55	1	C12x20.7	4	11 1/2		
		d55	2	L3x3x3/8	0	2 1/2		
		e55	12	L1 1/2x1 1/4x3/16	0	9 1/2		
		f55	2	L3x3x1/4	1	4		
		g55	1	L3x3x1/4	1	1		
		h55	2	BAR 1/4x3	0	5 1/8		
		k55	1	C6x8.2	3	10		
		m55	1	C12x20.7	4	8 1/2		
		n55	1	C6x8.2	4	7 1/2		
		p55	2	C6x8.2	3	9 3/8		
		t55	1	L3x3x1/4	3	7 1/2		
		v55	1	BAR 1/4x5	1	0		
		v55	1	BAR 1/4x5	0	9 3/4		
		aa55	6	PL12 GA x 22 5/16	3	10		
		ab55	1	PL12 GA x 8 1/2	3	10		
		ac55	1	PL12 GA x 5 9/16	3	10		



NOSING NO.	STUB
1	
2	1'-0 15/16
3	2'-1 15/16
4	3'-2 7/8
5	4'-3 3/16
6	5'-4 13/16



This document and the information contained in it are the confidential property of LYD-STEEL and may not be copied, duplicated, used in any manner, or transmitted to others without the written consent of LYD-STEEL.

## LYD-STEEL

Steel Detailing / Checking

6400 FAIR VALLEY TRAIL, AUSTIN, TEXAS 78749  
PHONE: (512) 484-3197 EMAIL: LYD-STEEL@ATT.NET

PRINT RECORD			Details of _____	
Date	NO.	For	Customer	Project
-/-/-	-	-	DELL DIAMOND	Location
-/-/-	-	-	ROUND ROCK, TEXAS	Architect
-/-/-	-	-		
-/-/-	-	-		
-/-/-	-	-		

Drawn	LTS	Date	12/07/09	Job No.		Sheet No.	
Checked		Date		Sample		55	